



ST Technos Co., Ltd.

ST Technos is a subsidiary of Shimamoto Tekko Co., Ltd.

Maintenance and Service Division

Zip 084-0913
1-8 Hoshigaura Minami 3-chome, Kushiro, Hokkaido
Inside the Kushiro Engineering Center
TEL/0154-55-3005 FAX/0154-55-3006

Harutori Factory Electronics Department

Zip 085-0813
4-8 Harutori 8-chome, Kushiro, Hokkaido
TEL/0154-92-3000 FAX/0154-92-3002
<http://www6.ocn.ne.jp/~kecst946/>

Changing the sanitary
environment of industry
with help from the ocean

海水電解殺菌装置

Seawater Electrolysis Sterilizer



ST Technos Co., Ltd.

What is an Seawater Electrolysis Sterilizer?

This device allows us to sterilize seawater.

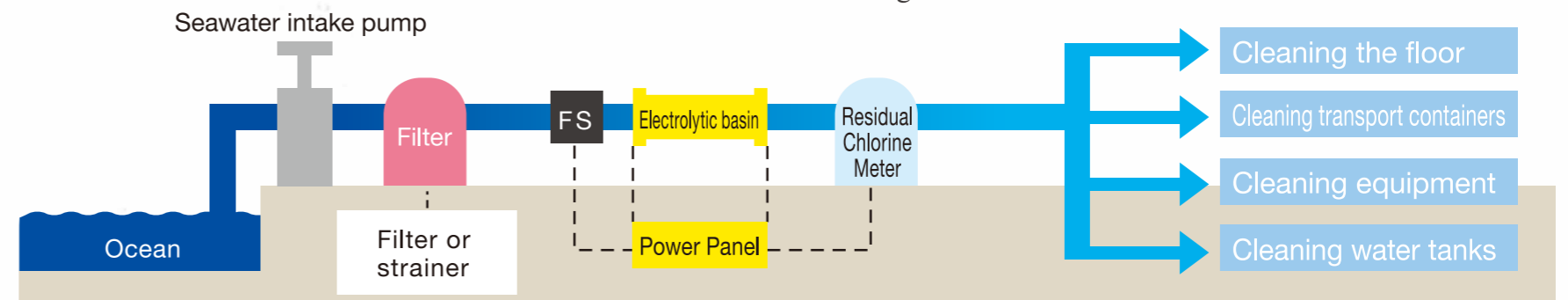
The sterilized seawater can be used for cleaning water on fishing boats and at fish markets according to need.

The seawater electrolysis sterilizer developed by our company uses absolutely zero chemicals, and by adding a very small amount of sodium hypochlorite, a powerful sterilizer, cleaning abilities are enhanced, and sanitation management can be elevated on fishing boats, fish markets, processing factories, farming facilities and other areas in the fishing industry. The device is receiving favorable evaluation, as the water can be used as cleaning water for fish, fishing nets, equipment and machinery and other uses throughout the facilities to manage sanitation and preserving freshness. The device does not require operation management, yet maintains stable sterilization power, high resistance, and is low cost, insuring investment return in a short time, which is one of the merits of this device.



Seawater Electrolysis Sterilizer Features

- Large amounts of seawater can be sterilized in a short time.
- Stable sterilization effects are made possible with our precise operation control.
- Operation is easy with the incorporation of the interlocking circuit.
- Effects are digitally shown, ready for recording and compatibility with HACCP.
- Eco operation is made possible with minimal energy use.
- Low running cost compared to other sterilization and disinfecting devices.

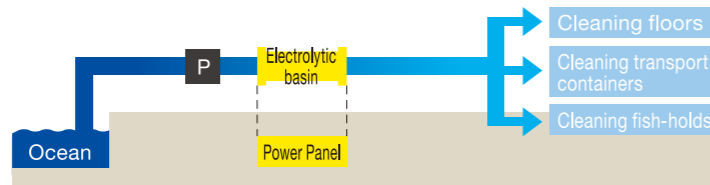


* Can be used in different ways according to need.

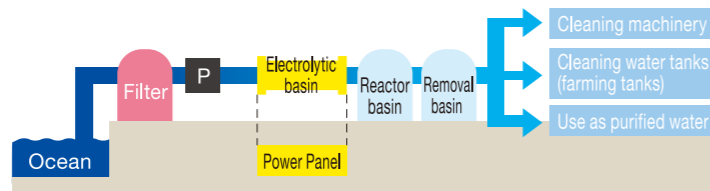
Examples of use

The sterilizer is used in many fields such as fish markets, on fishing boats, fishery processing factories and farming facilities.

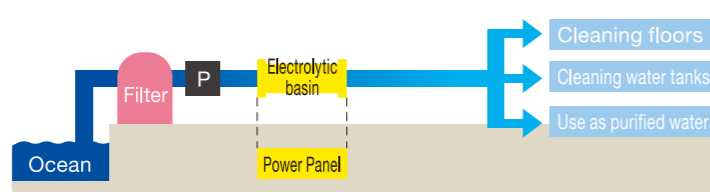
1 For cleaning and disinfecting markets and fishing boats.



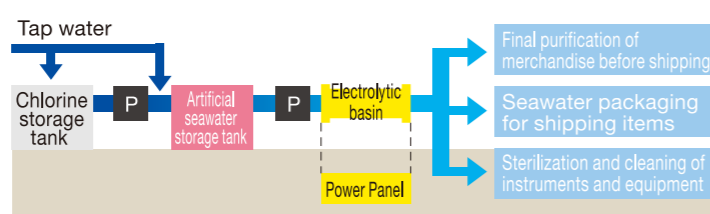
2 Sterilizing seawater in farming facilities (farming tanks)



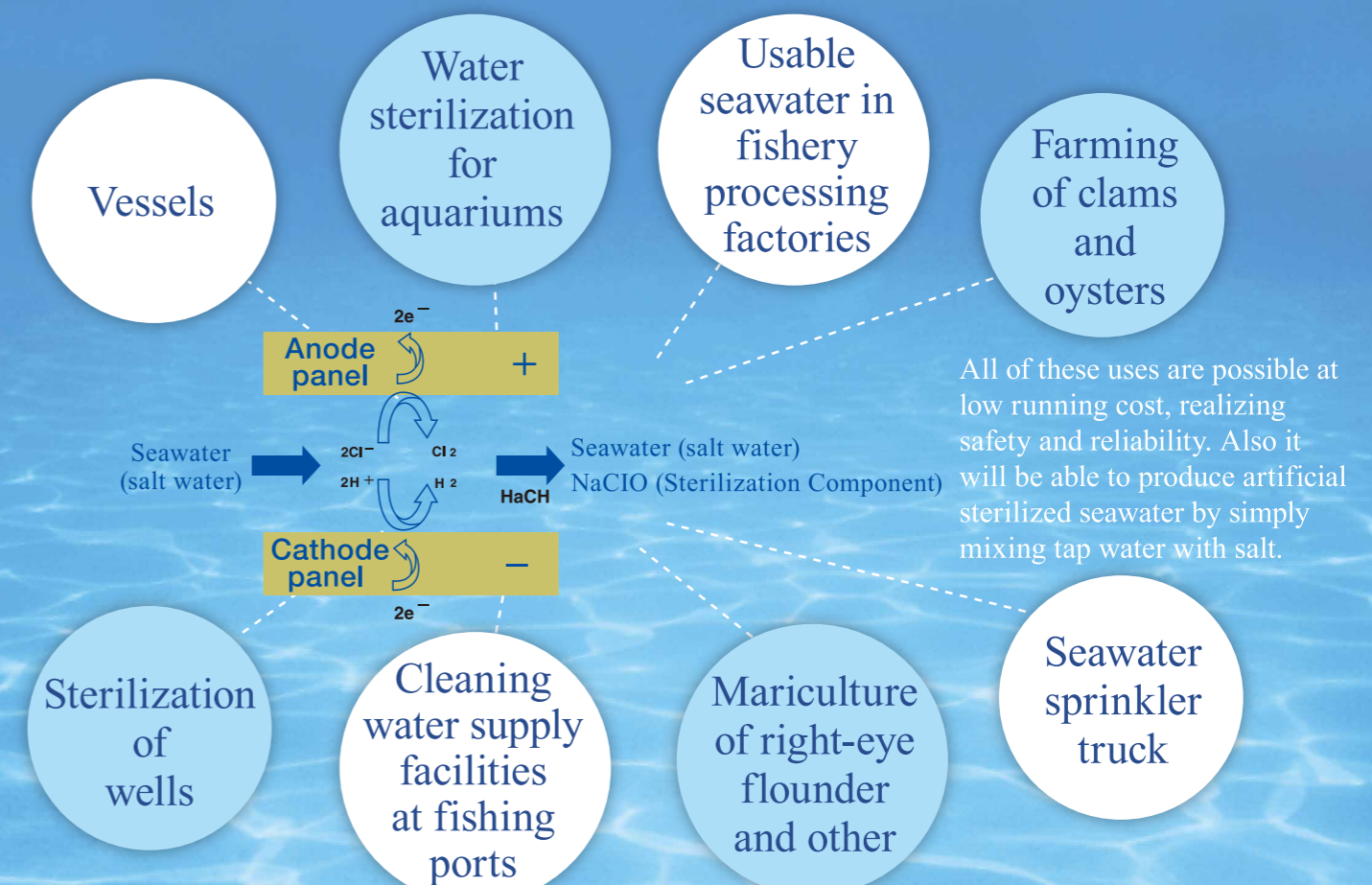
3 Sterilization of seawater and cleaning for fishery processing factories



4 Electrolytic sterilized water supply for artificial seawater



Various uses for Seawater Electrolysis Sterilizer



All of these uses are possible at low running cost, realizing safety and reliability. Also it will be able to produce artificial sterilized seawater by simply mixing tap water with salt.

We will produce a design specification according to your needs and potential.